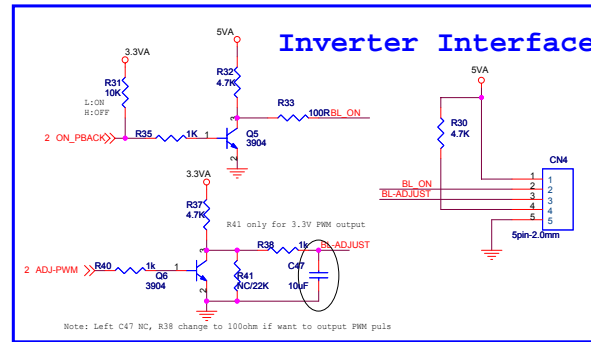
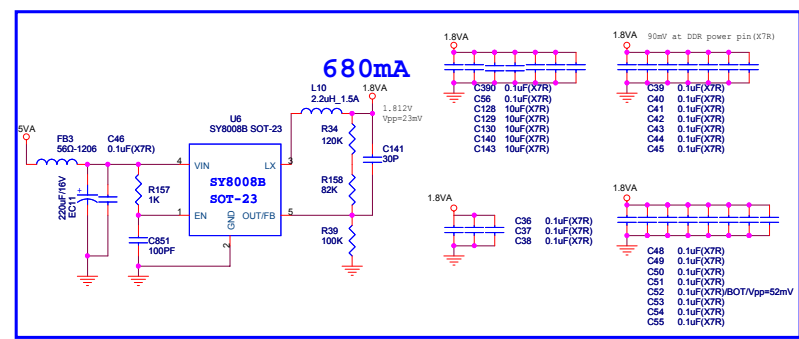
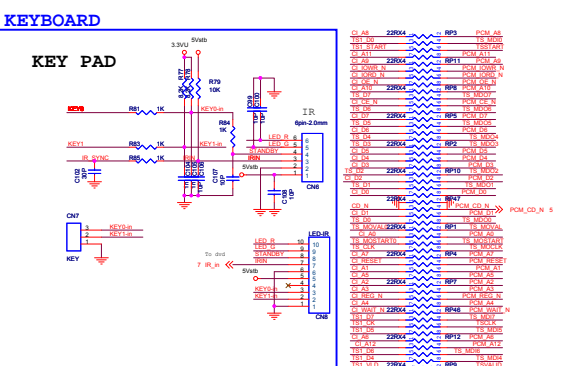
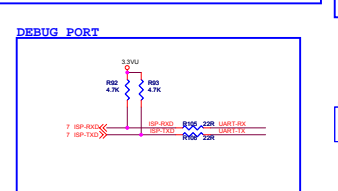
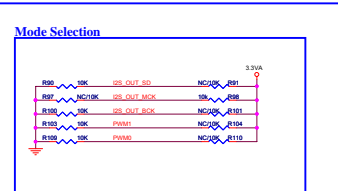
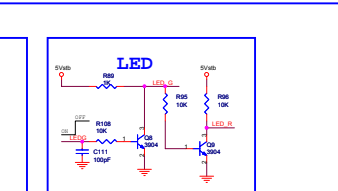
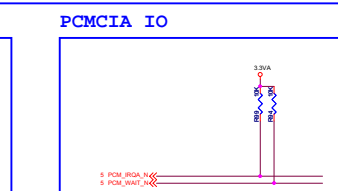
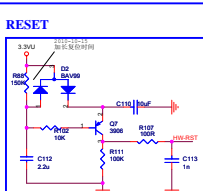
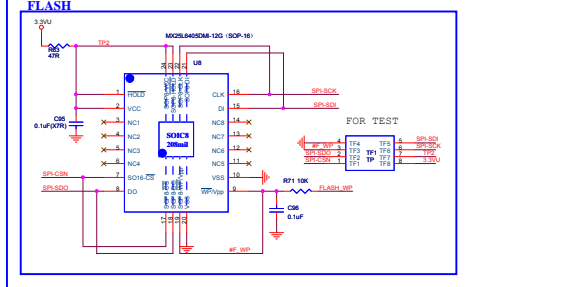
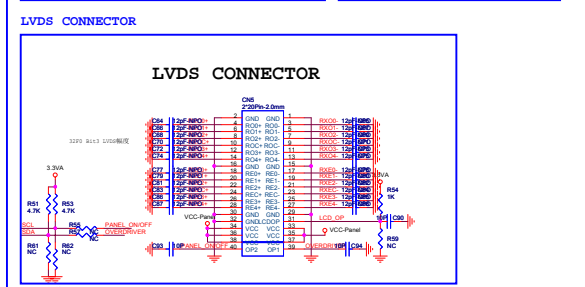
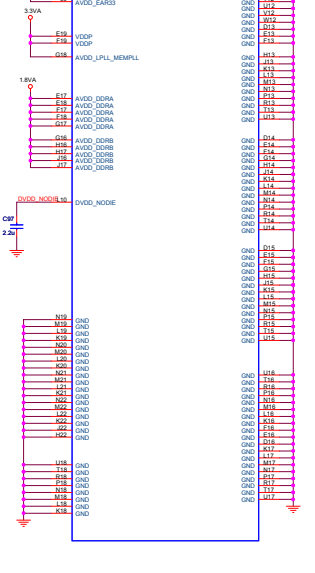
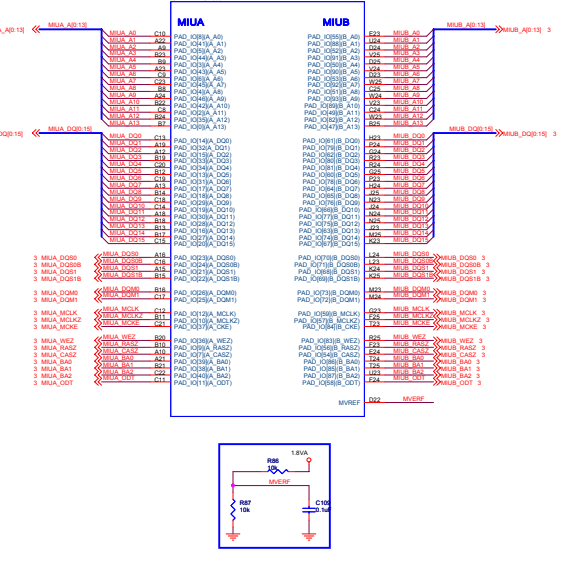
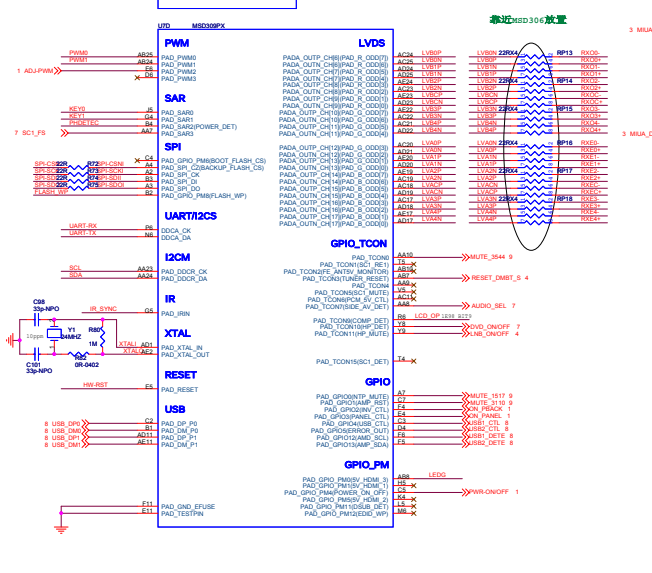
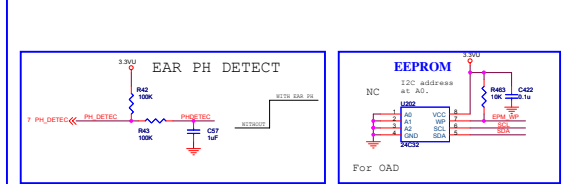
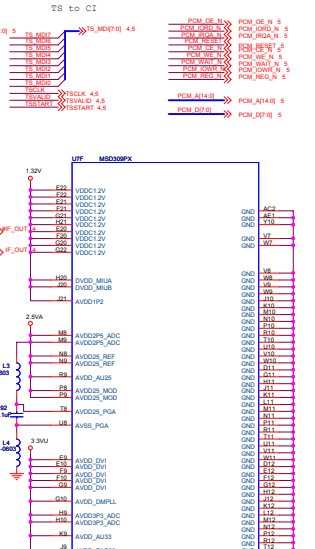
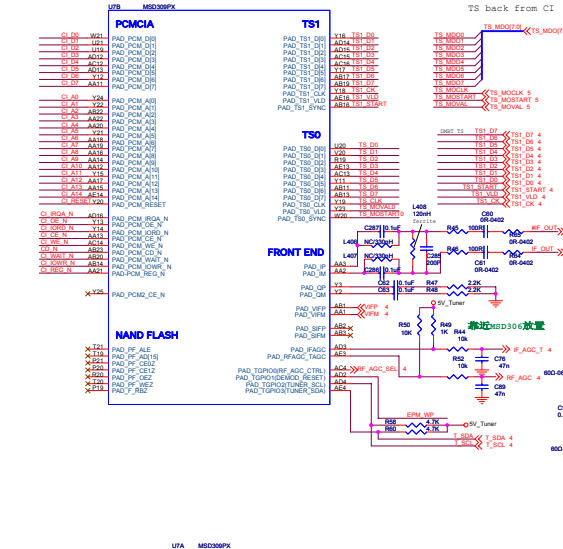
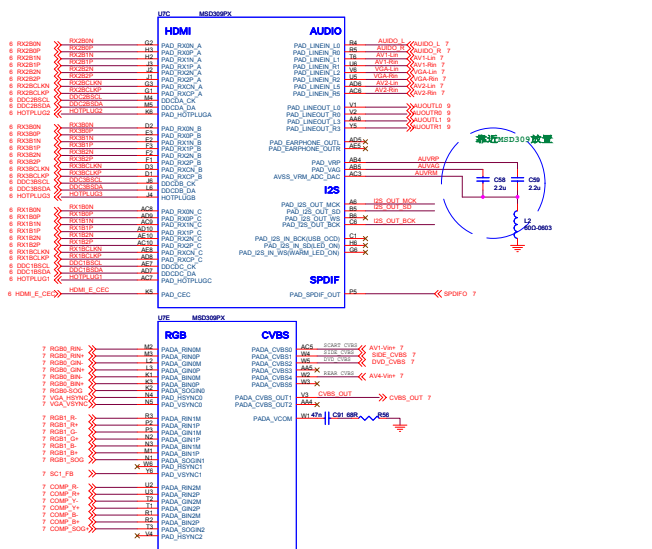


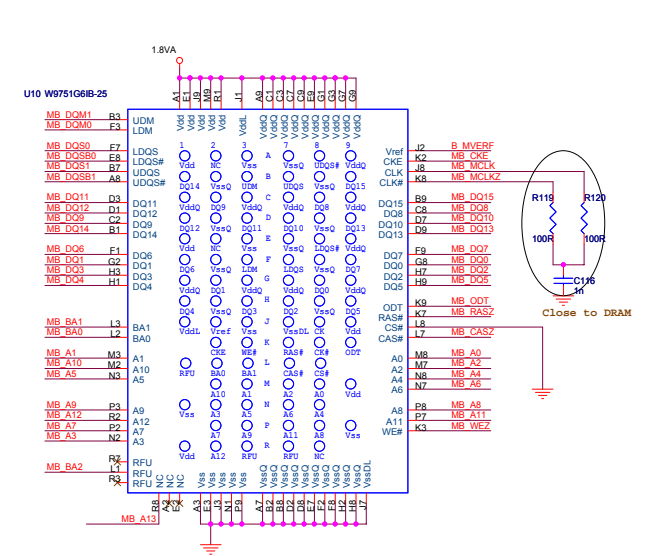
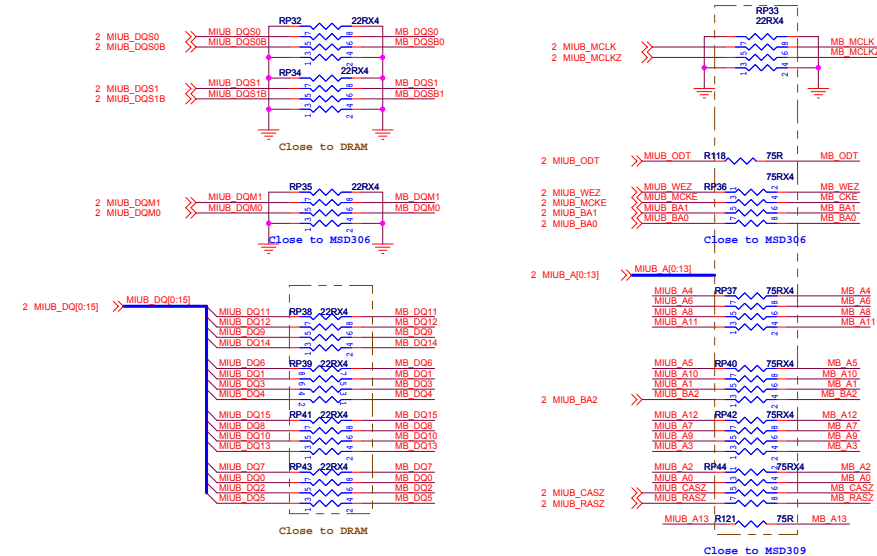
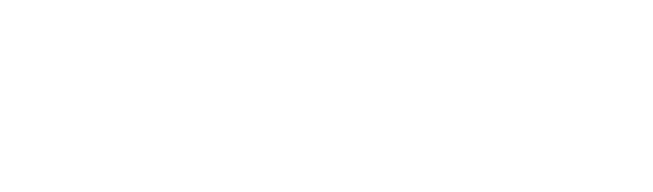
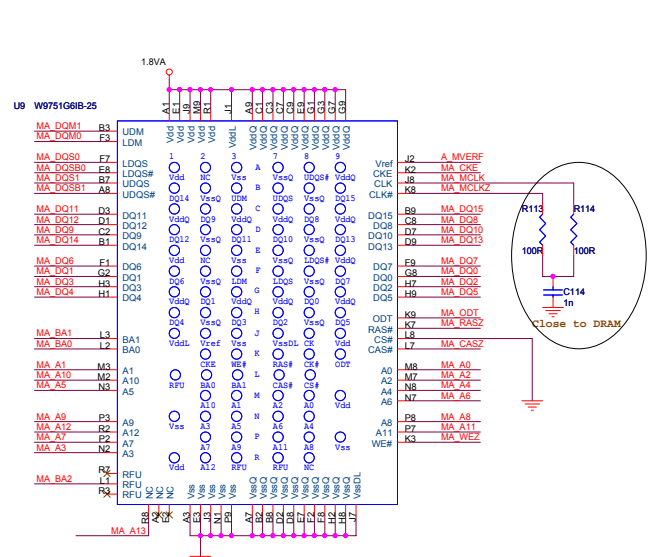
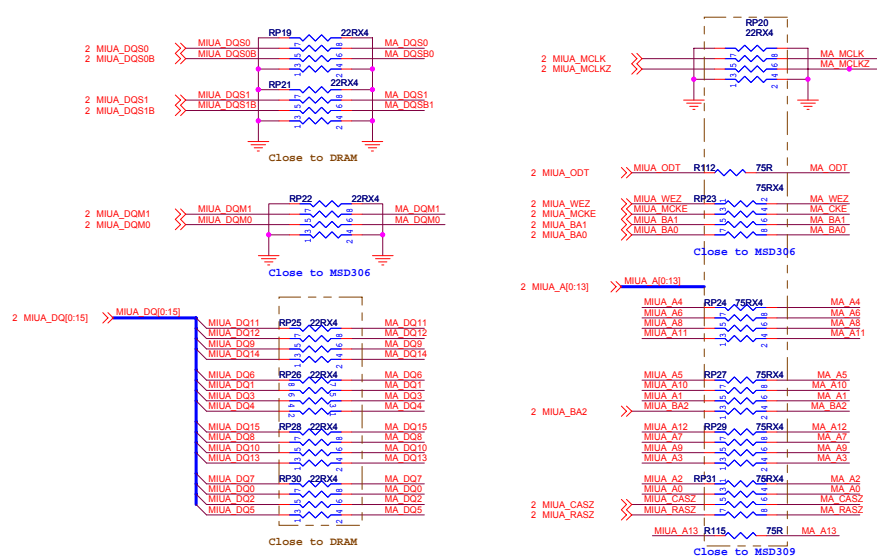
升级为D版，基于MSDV3209-ZC01-01(C) 0722有如下变更：  
 NOTE1: 删R1, C283; 增加L102, C19  
 NOTE2: 增加C935; 靠近主芯片 (板底)

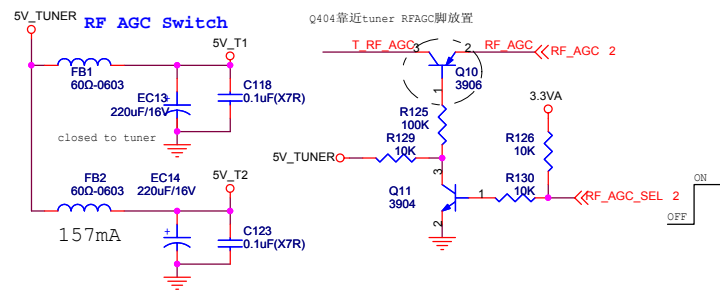
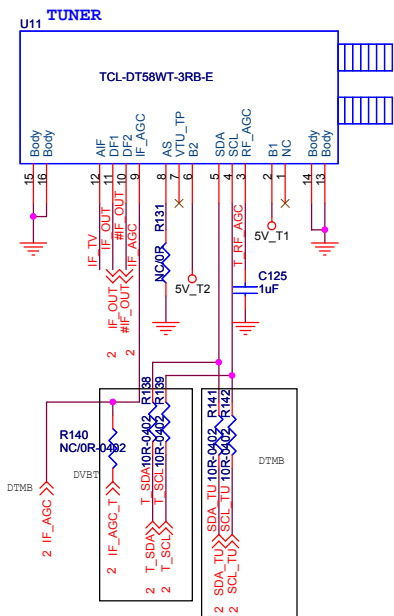
D版改板，基于MSDV3209-ZC01-01(C) 2010.12.29变更：  
 NOTE1: C19由贴片(10uF)改为电解电容(220uF)



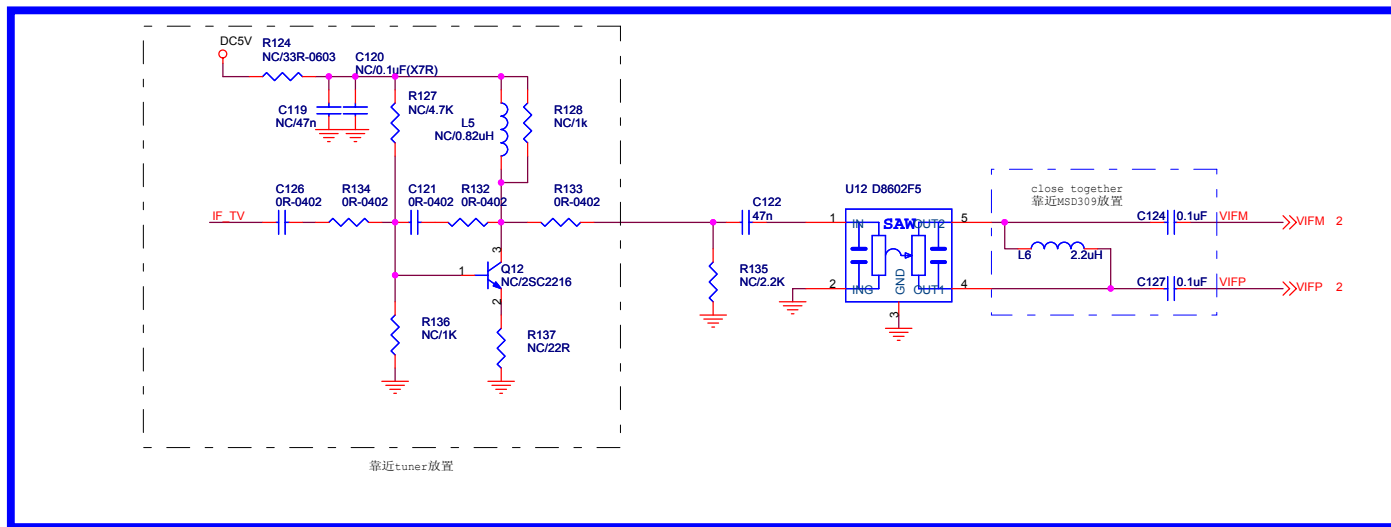
<b>Mstar</b> 深圳市高新区南区科技南十路国际技术创新研究院C栋4楼	
TEL: 0755-26996895 FAX: 0755-26996830	
Title	POWER
Size	Document Number
Date	Tuesday, February 22, 2011 Sheet 1 of 9 Rev 1.0







**SAW Drive**



**Mstar** semiconductor

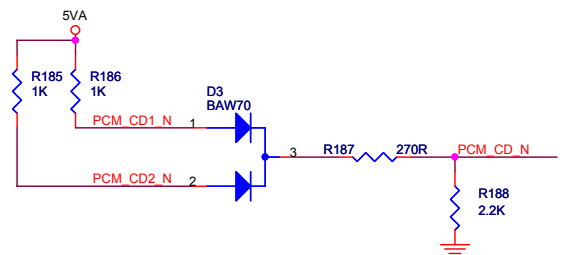
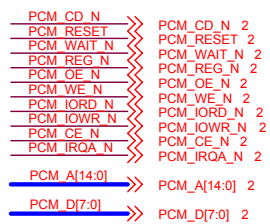
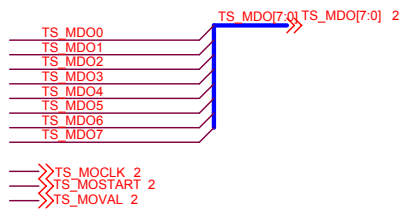
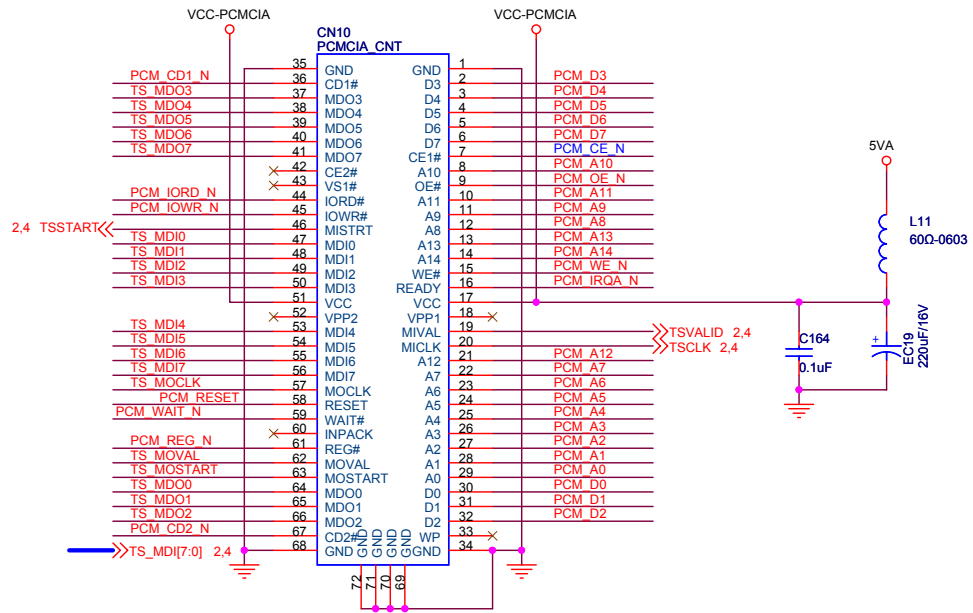
深圳市高新区南区科技南十路国际技术创新研究院C座4楼  
 TEL:0755-26996895 FAX:0755-26996830

Title: TUNER

Size: Document Number: Rev: 1.0

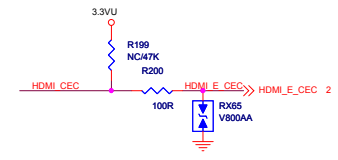
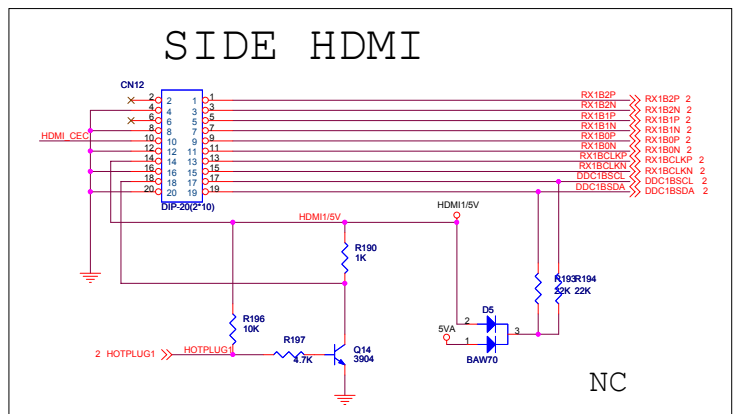
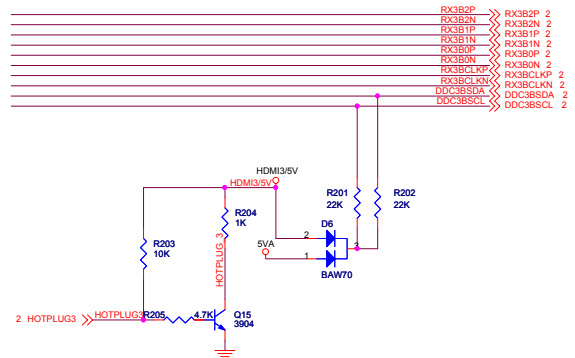
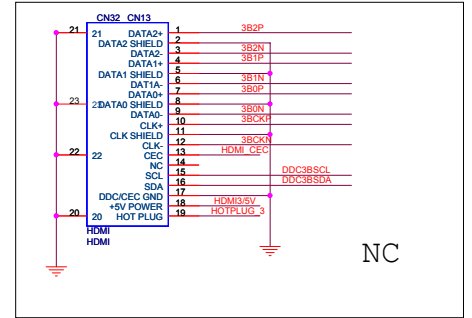
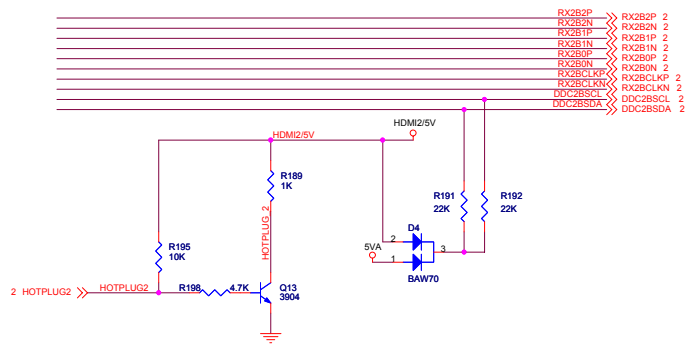
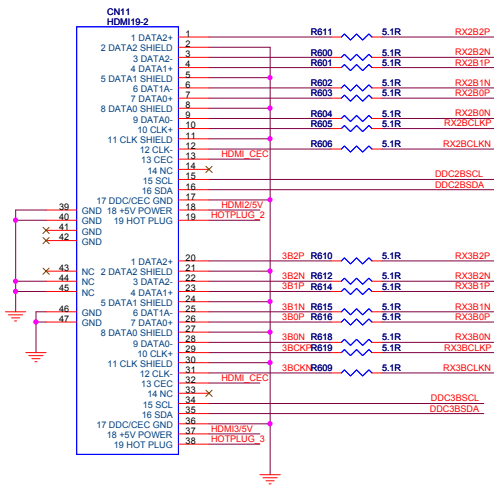
Date: Monday, February 21, 2011 Sheet 4 of 9

FOR EUROPE




 深圳市高新区南区科技南十路国际技术创新研究院C座4楼  
 TEL:0755-26996895 FAX:0755-26996830

Title PCMCIA		
Size	Document Number	Rev 1.0
Date:	Monday, February 21, 2011	Sheet 5 of 9

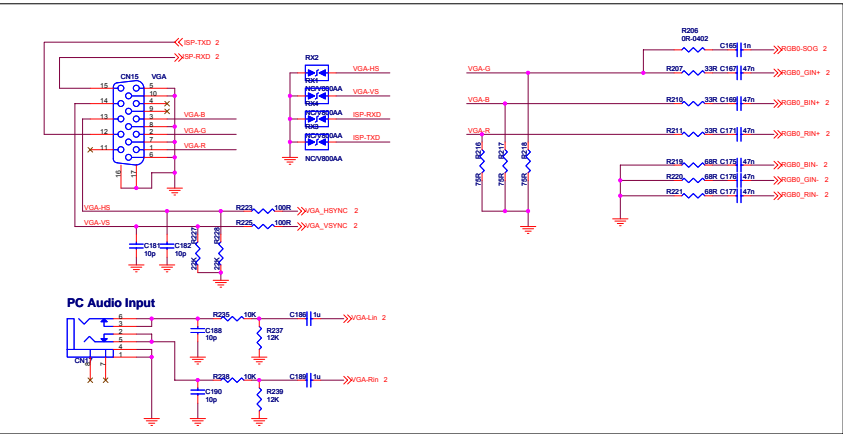


**Mstar**  
semiconductor

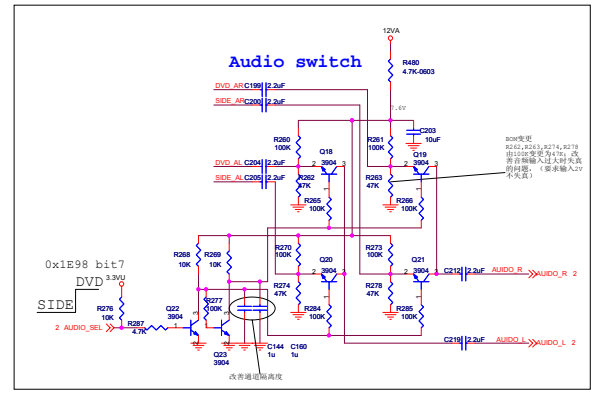
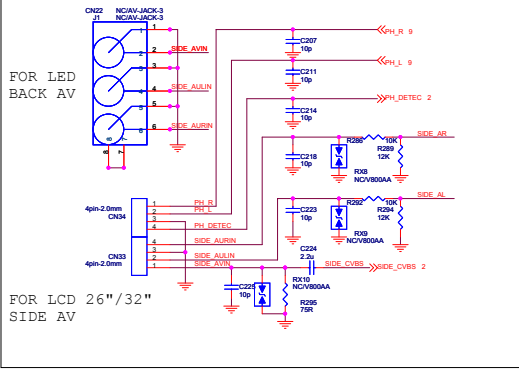
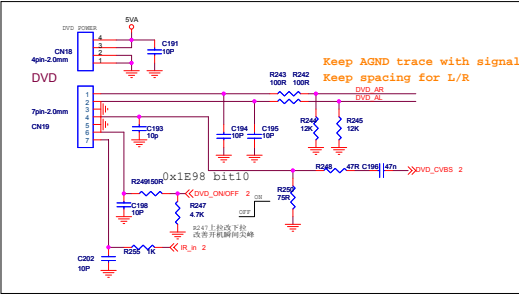
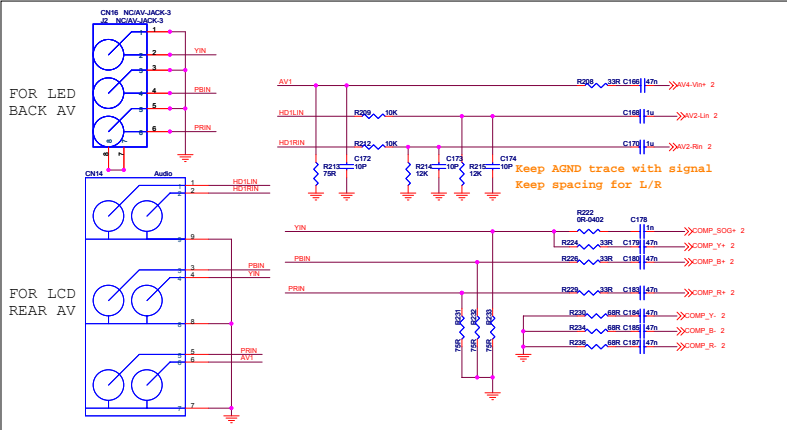
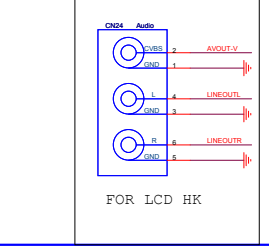
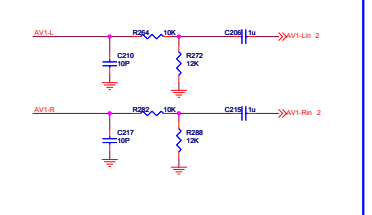
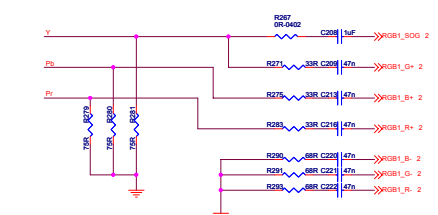
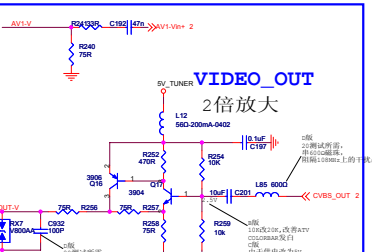
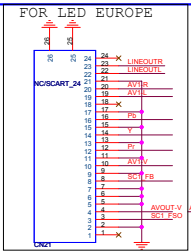
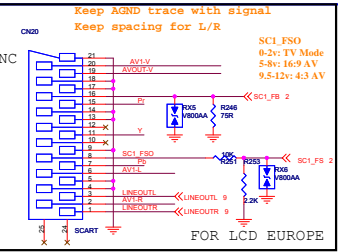
深圳市高新区南区科技南十路国际技术创新研究院C座4楼  
TEL: 0755-26966895 FAX: 0755-26966830

File: HDMI		Rev: 1.0
Size:	Document Number:	
Date: Friday, February 25, 2011	Sheet: 6 of 9	

### VGA INPUT

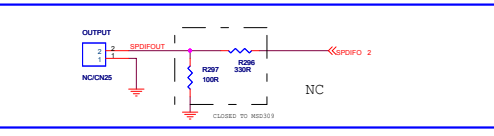


### FULL SCART



Mstar 深圳市高新区科技南十路同创高新技术研究院C栋4楼			
TEL:0755-26968955		FAX:0755-26968930	
File	AV1H	Rev	1.0
Date	Document Number	Rev	1.0
Date	F0557, February 25, 2011	Sheet	7 of 9

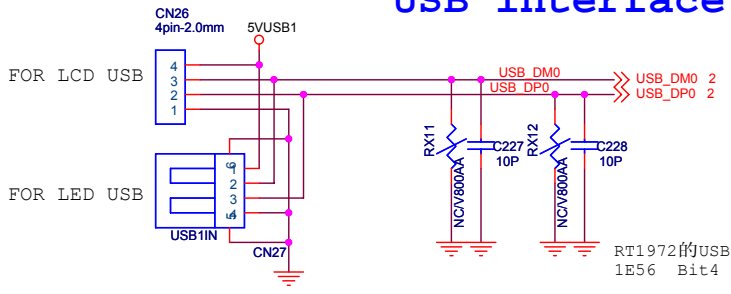
### SPDIF Output



升级为D版, 基于MSDV3209-2C01-01(C)0722有如下变更:  
NOTE1:删R67,EC20; 增加C932(100PF); 增L85(600欧, 0603磁珠)

### SIDE CVBS+S\_Video Input

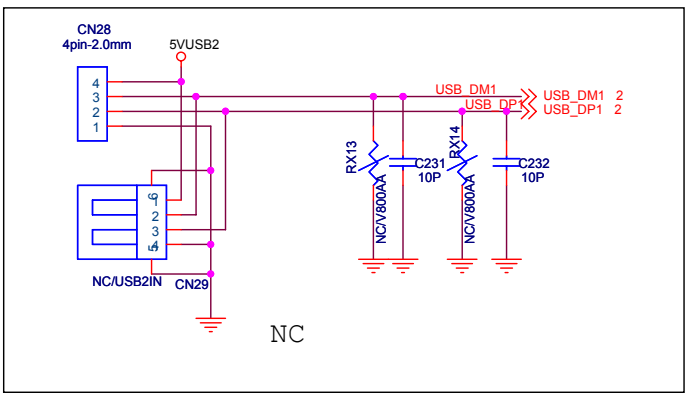
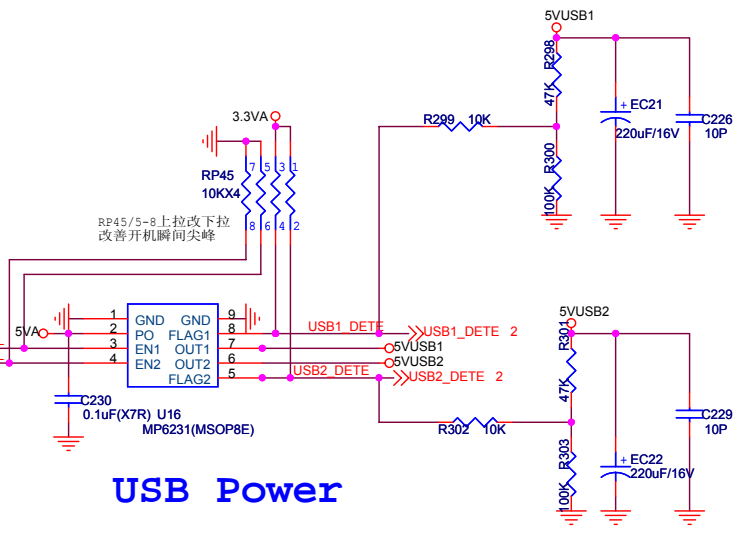
# USB Interface



RT1972的USB1\_CTL:  
1E56 Bit4 置低;

2 USB1\_CTL  
2 USB2\_CTL

# USB Power



**Mstar** semiconductor  
 深圳市高新区南区科技南十路国际技术创新研究院C座4楼  
 TEL:0755-26996895 FAX:0755-26996830

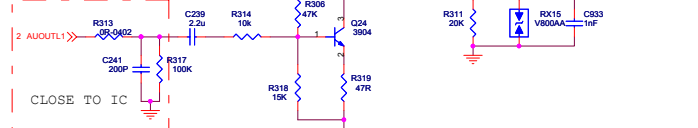
Title: USB

Size	Document Number	Rev
		1.0

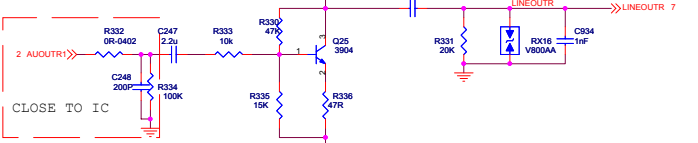
Date: Monday, February 21, 2011 Sheet 8 of 9



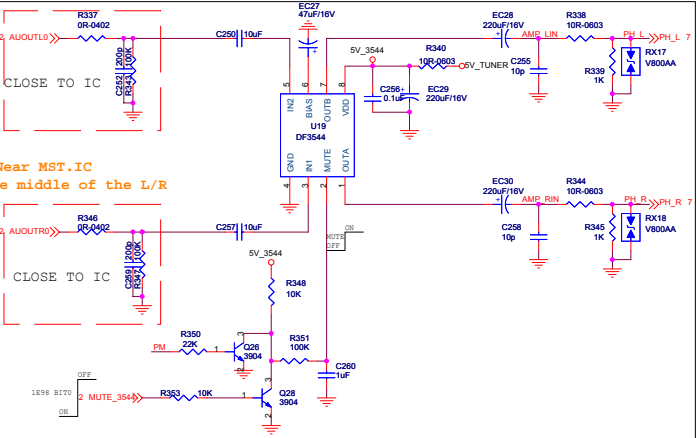
# AUDIO\_OUTPUT



Near MST.IC  
Ground in the middle of the L/R

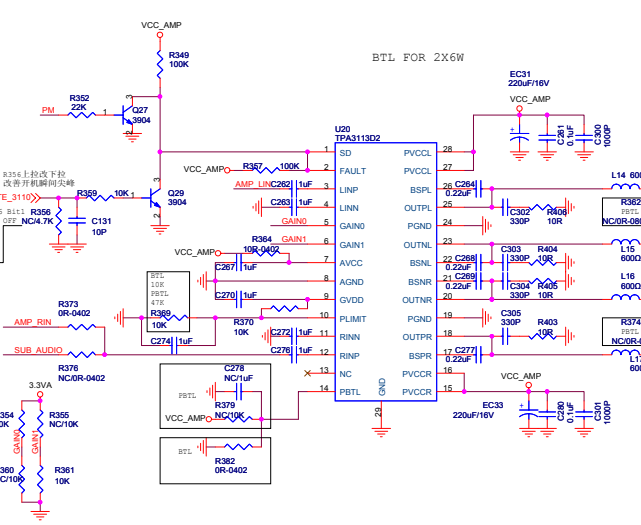
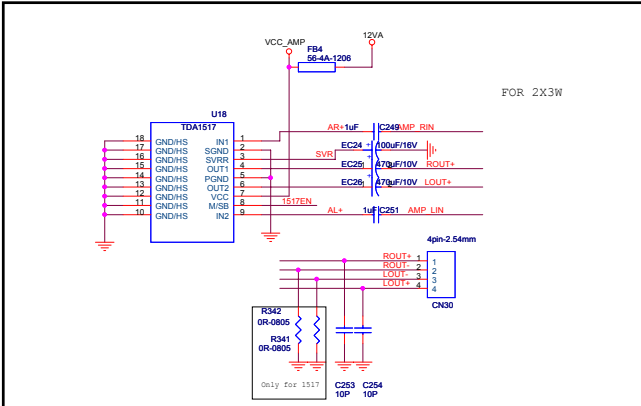
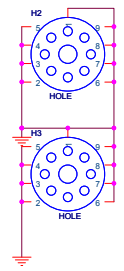
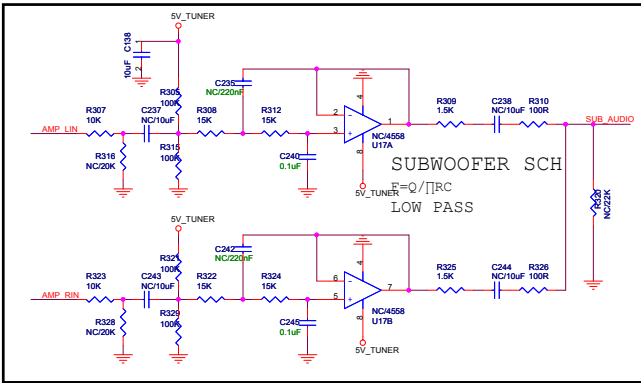


Near MST.IC  
Ground in the middle of the L/R



MUTE CONTROL

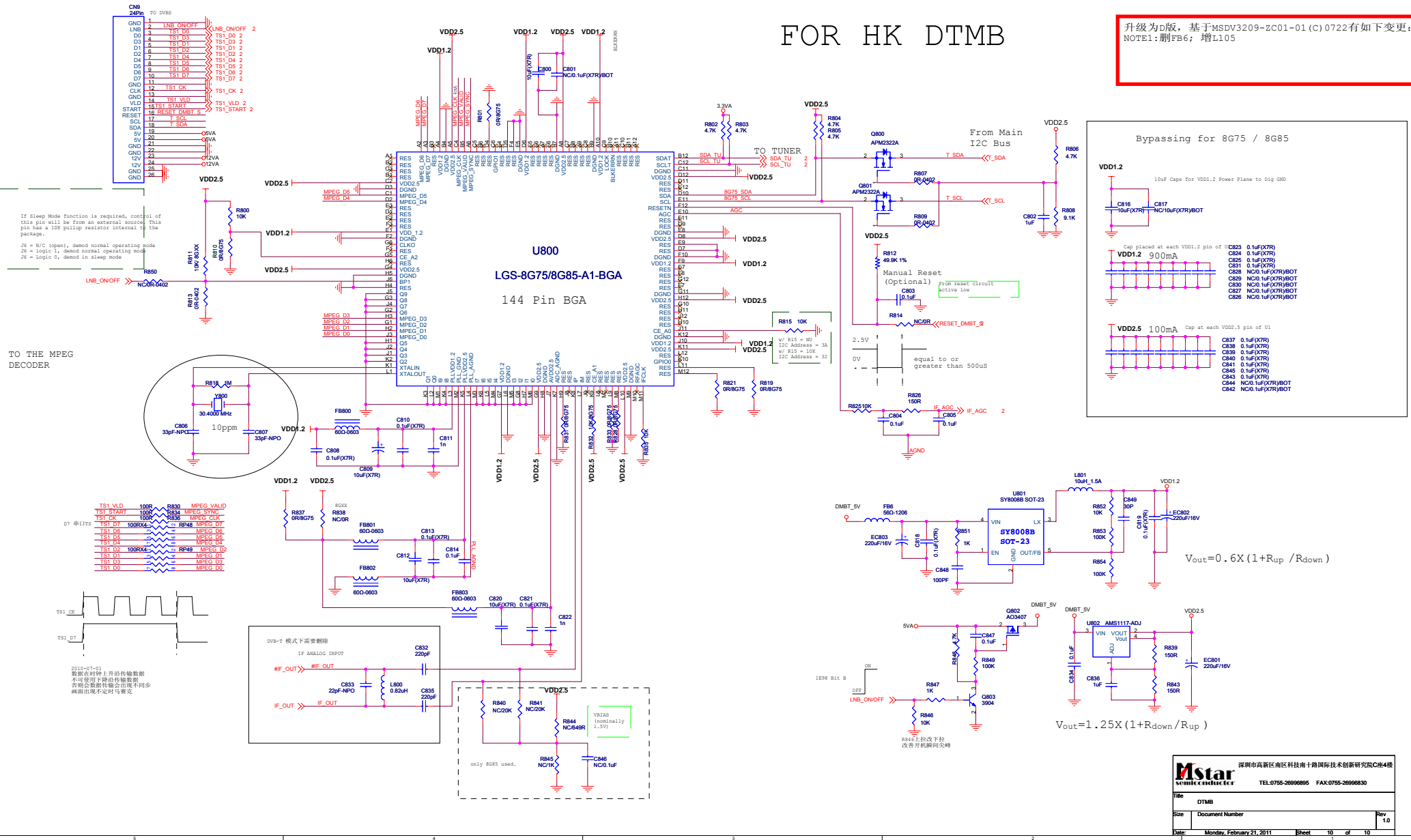
升级为D版。基于MSDV3209-2C01-01(C)0722有如下变更：  
NOTE1:增C933,C934 (1nF-0402)



深圳市高新区南区科技南十路国际技术创新研究院C座4楼 TEL:0755-26968895 FAX:0755-26968830		
Title:	AUDIO	
Size:	Document Number	Rev: 1.0
Date:	Friday, February 25, 2011	Sheet 9 of 9

# FOR HK DTMB

升级为d版, 基于MSDV3209-ZC01-01 (C) 0722有如下变更:  
NOTE1:删FB6; 增L105



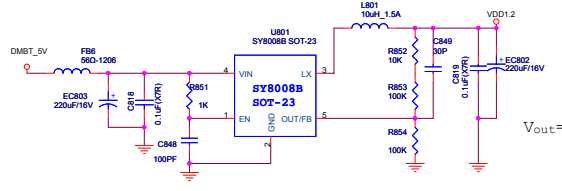
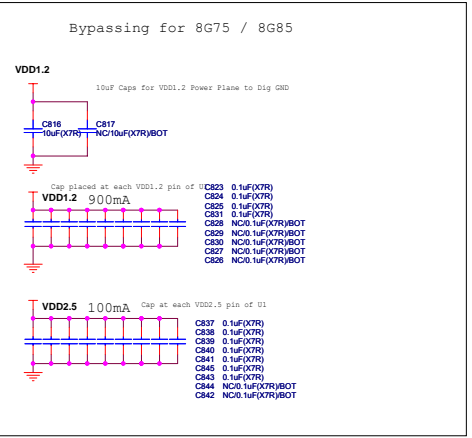
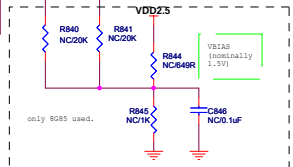
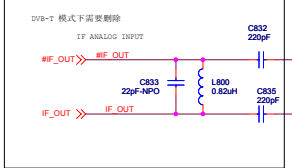
If Sleep Mode Function is required, control of this pin will be from an external source. This pin has a 10k pull-up resistor internal to the package.

JE = N/C (open), demand normal operating mode  
 JE = Logic 1, demand normal operating mode  
 JE = Logic 0, demand in sleep mode

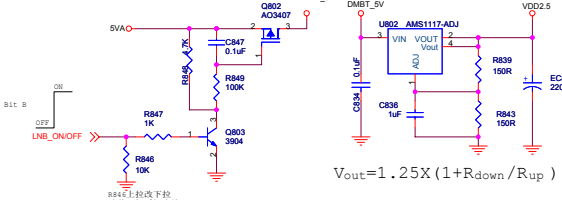
TO THE MPEG DECODER



2010-07-01  
 数据在传输上升沿传输数据  
 不可使用下降沿传输数据  
 否则数据会出现不同步  
 请避免出现下降沿与上升



$$V_{out} = 0.6X(1 + R_{up} / R_{down})$$



$$V_{out} = 1.25X(1 + R_{down} / R_{up})$$

<b>Mstar</b> SEMICONDUCTOR		深圳市高新区南区科技十路国际技术创新研究院C座4楼	
		TEL:0755-26998895 FAX:0755-26998830	
Title	DTMB	Rev	1.0
Size	Document Number		
Date	Monday, February 21, 2011	Sheet	10 of 10